

Fast Trak® – Side Loading



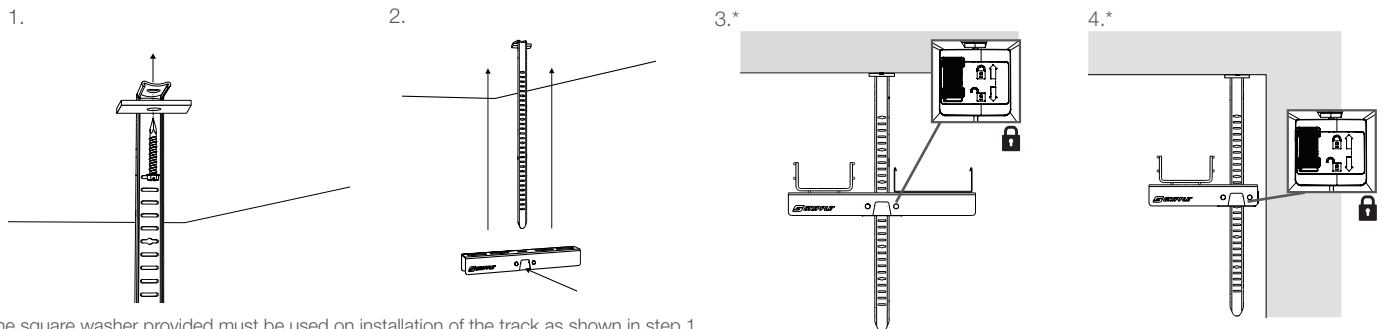
Pre-fabricated side loading bracket solution offering speed and flexibility for the installation of lightweight electrical containment, pipework, ductwork and other mechanical services in restricted places.

FEATURES / BENEFITS

- **Quick** – up to four times faster to install than traditional suspension systems
- **Safe** – pre-fabricated system which removes the need to cut threaded rod or channel on site
- **Tool free** – bracket can be moved up and down the tracks to accommodate changes in position during installation
- **Secure** – safety lock ensures security once brackets & tracks are in place
- **Space saver** – can be multi-tiered to accommodate additional services
- **Easy Installation** – lightweight services can be side loaded onto the bracket
- **Neat & tidy** – system can be 'stacked' on-site to reduce storage requirements
- **Fire tested** – to F120 to the temperatures associated with BS EN 1363-1:2012. Independent test data with load limits and exposure times is available upon request from Gripple Technical Services.



INSTALLATION & ADJUSTMENT

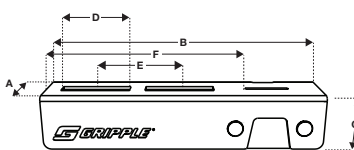


The square washer provided must be used on installation of the track as shown in step 1. Internal applications only. Do not adjust under load. No dynamic loading. Single use only.

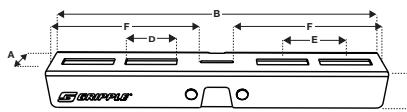
*Excess tracks can also be snapped off once bracket is levelled & secured for a neater finish. Bending tracks by hand is not recommended when excess is under 100 mm.

SPECIFICATION

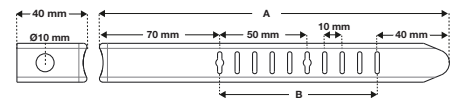
Single Load Bracket



Twin Load Bracket



Track



Single Load Bracket	A (mm)	B (mm)	C (mm)	D (mm)	E (mm)	F (mm)	Max Single Point Load ¹	Max Uniform Load (UDL) ²
FTBS-180	40	180	35	45	55	130	15 kg	15 kg
Twin Load Bracket	A (mm)	B (mm)	C (mm)	D (mm)	E (mm)	F (mm)	Max Load (SPL) ¹	Max Load (UDL) ²
FTBT-200	40	210	35	60	-	90	15 kg	30 kg
FTBT-300	40	290	35	45	55	130		
FTBT-400	40	400	35	45	55	185		

¹ Maximum single point load that can be applied to each side of the suspension track

² Maximum uniform load for the entire bracket

Track	A (mm)	B (mm)
FTT-200	200	90
FTT-300	300	190
FTT-400	400	290
FTT-500	500	390
FTT-600	600	490

For any additional tracks lengths, please contact Gripple Technical Services

SUBMITTAL INFORMATION

Safe Working Load:

Load rating performance at ambient temperatures - for fire performance, please contact your sales representative or email TechnicalServices@gripple.com. See table on reverse page for maximum working loads at ambient temperatures.

Material:

Track & Bracket Material – BS EN 10346:2009 DX51D (Mild Steel, Pre-Galv Z275)

Cartridge Housing – ABS Plastic

Spring – BS 2056 Austenitic 302S26 G2

Latch – EN 10346 S450GD

Approvals:

Lloyds certified

UL tested

TÜV tested

APAVE tested

Fire tested by Exova to F120

PI-FASTTRAK-SIDELoading-ENG
Published 11/23

www.gripple.com

Gripple's policy is one of continuous development and innovation. We therefore reserve the right to alter specifications, etc. without notice.



Gripple Ltd | The Old West Gun Works | Savile Street East | Sheffield S4 7UQ
Tel 0800 018 4264 Fax 0114 275 1155 Email info@gripple.com